

DK Touring Canoe

Length: 18' (5.5 m)

Max Beam: 35" (.9 m)

Est Hull Weight: 83 lbs (38 k)

Ideal Load on Board: 300-700 lbs (136-318 k)



Bill of Materials – DK Touring 18.0

Note: This is the minimum material needed including a 15% waste factor. Some builders will require more wood flour and resin than others.

Build Options:

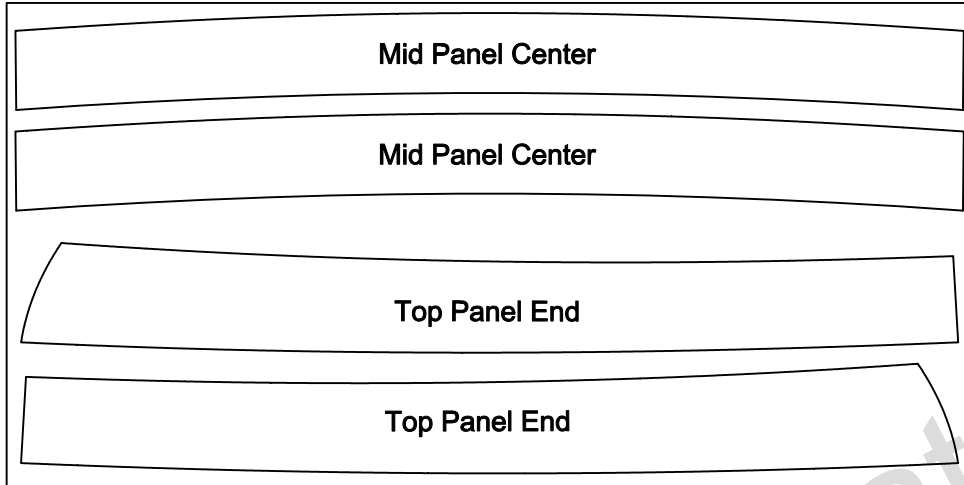
Option #1: Plywood, ¼" (6mm) for entire hull. Fiberglass tape seams only.

Option #2: Plywood, 3/16" (4mm) for entire hull. Fiberglass cloth both inside and outside of entire hull.

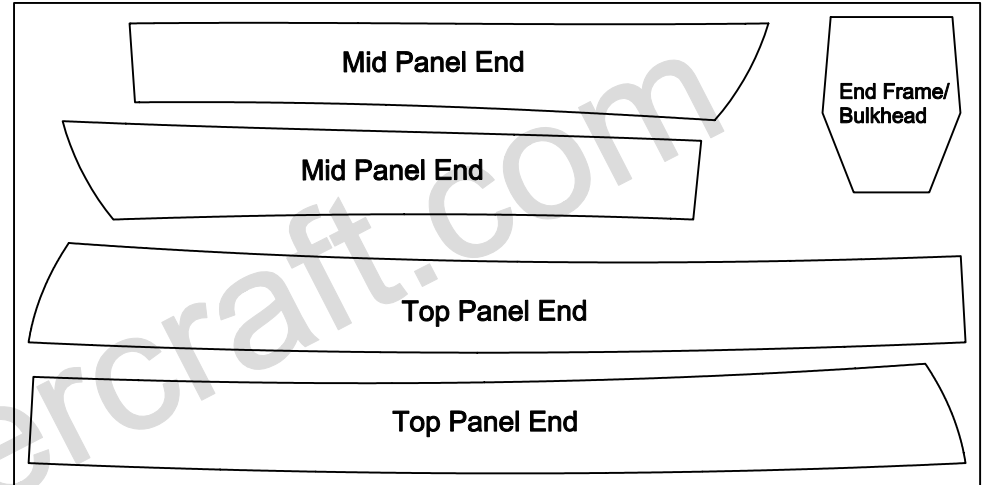
<u>Plywood</u> : 4' x 8' sheets		4 each
<u>Epoxy Resin</u> (and hardener):	Option 1:	1.8 gallons
	Option 2:	2.2 gallons
<u>Fiberglass Tape</u> , 6 ounce, 4" (10 cm)	Option 1:	75 yards
<u>Fiberglass Cloth</u> , 6 ounce, 60" (1.5m) wide	Option 2:	14 yards
<u>Wood Flour</u> :	All options	2 quarts

Additional material will be required for fairing and outfitting.

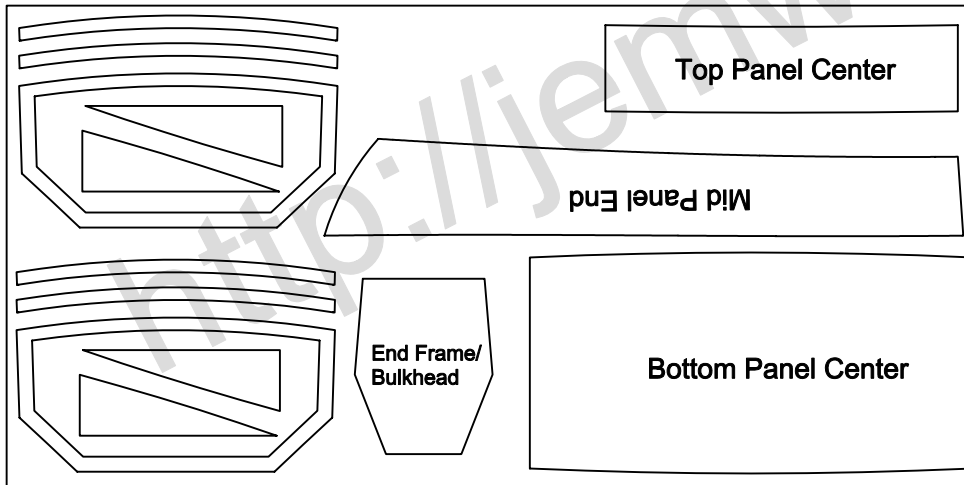
Sheet 1



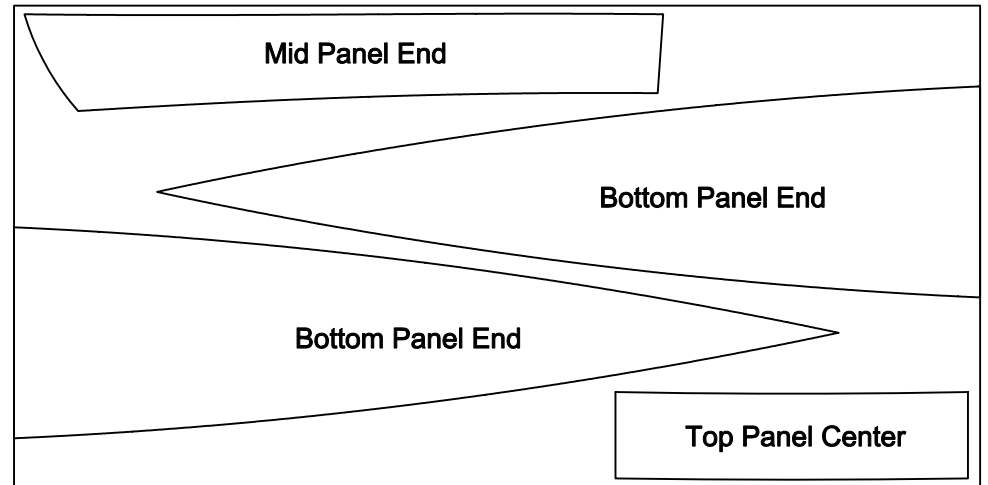
Sheet 2



Sheet 3

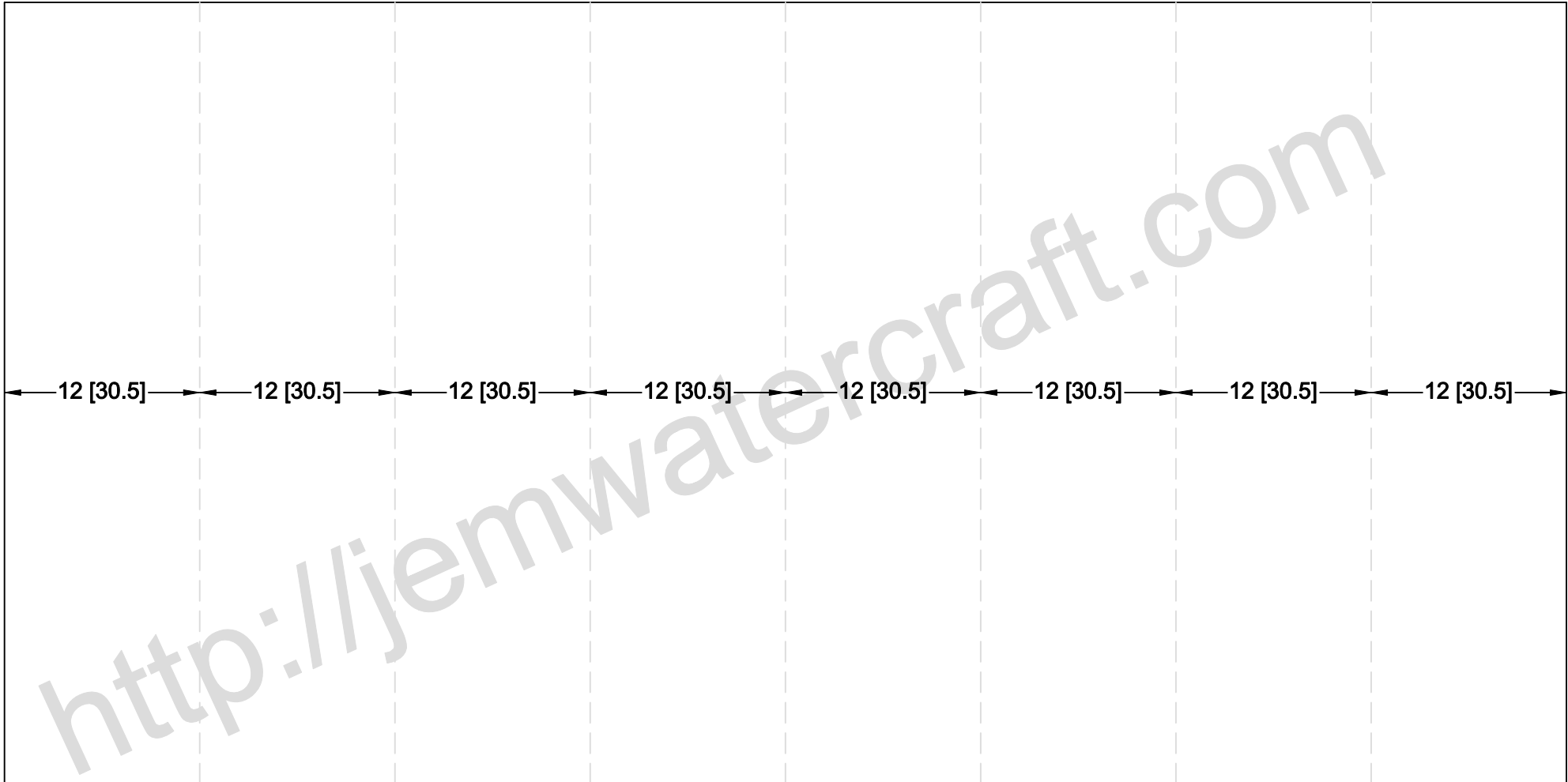


Sheet 4



www.boatplans.dk		
Title DK Touring Canoe		
Revision 01 - 01/10/07	Drawing Number Nesting	
Design By Morten Olesen		

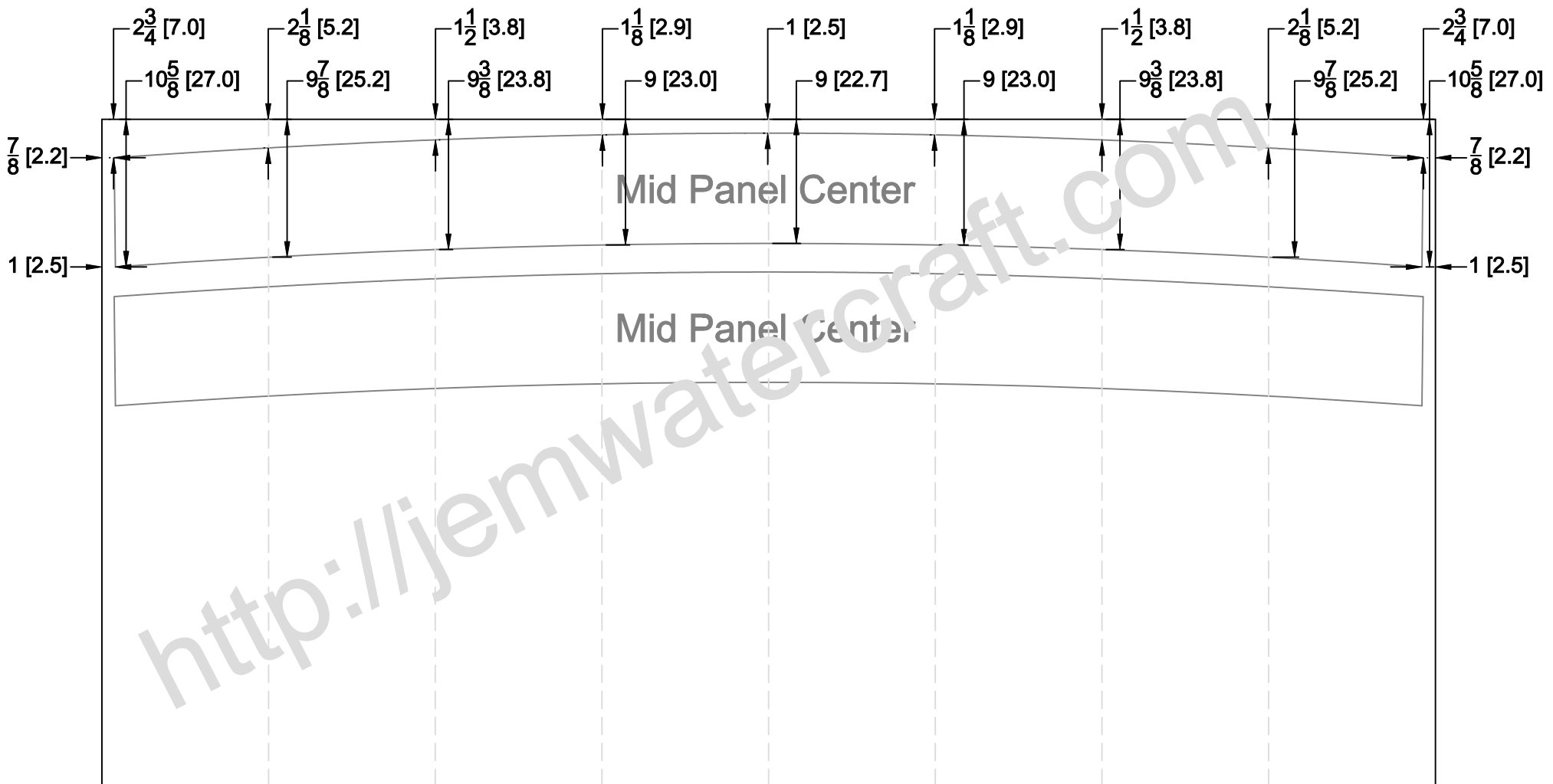
Note: These plans distributed for free courtesy of JEM Watercraft.



Draw Reference Lines as shown. These dimensions assume the plywood sheet is 96" x 48" [243.8 cm x 121.9 cm].

Note: These plans distributed for free courtesy of JEM Watercraft.

www.boatplans.dk		
Title		DK Touring Canoe
Revision	01 - 01/10/07	Drawing Number
Design By	Morten Olesen	Reference



Use the first copy as a pattern for the second.

Note: These plans distributed for free courtesy of JEM Watercraft.

www.boatplans.dk

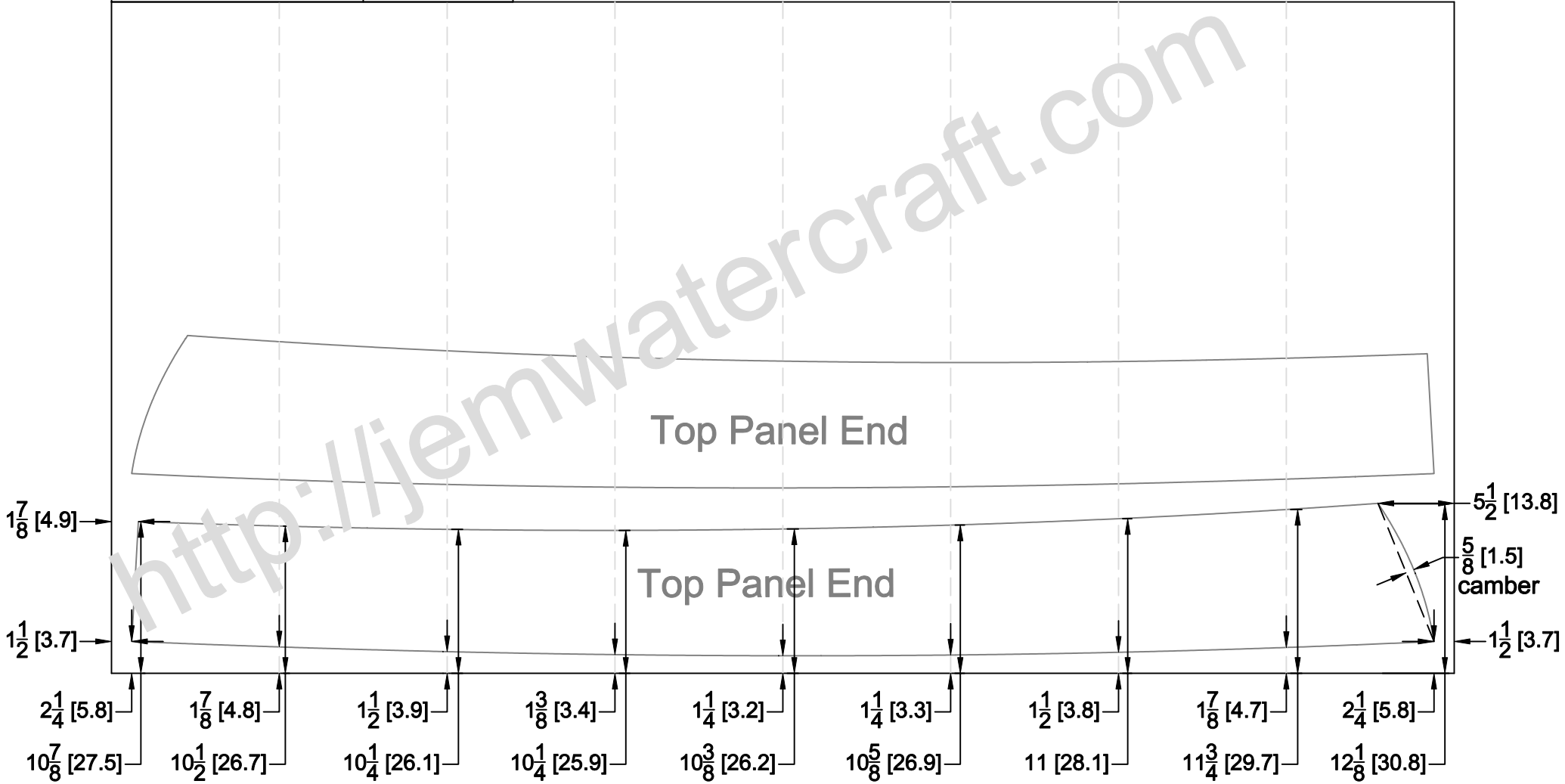
Title	DK Touring Canoe	
Revision	01 - 01/10/07	Drawing Number
Design By	Morten Olesen	Sheet 1.1

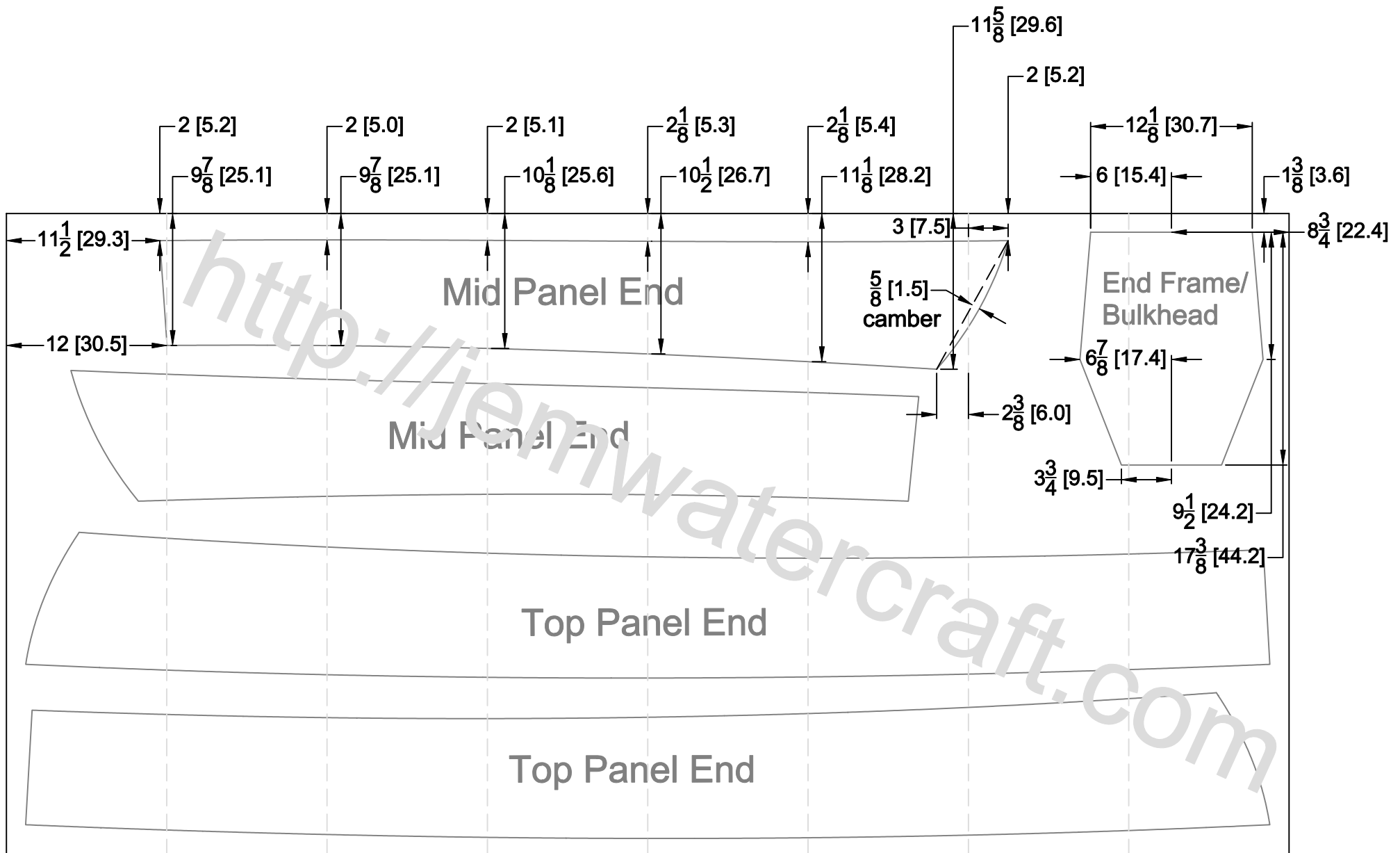
www.boatplans.dk

Note: These plans distributed for free courtesy of JEM Watercraft.

Title		DK Touring Canoe	
Revision	01 - 01/10/07	Drawing Number	Sheet 1.2
Design By	Morten Olesen		

Use the first copy as a pattern for the second.
To make the mirrored copy, flip the original panel over.





Use the first copy as a pattern for the second.

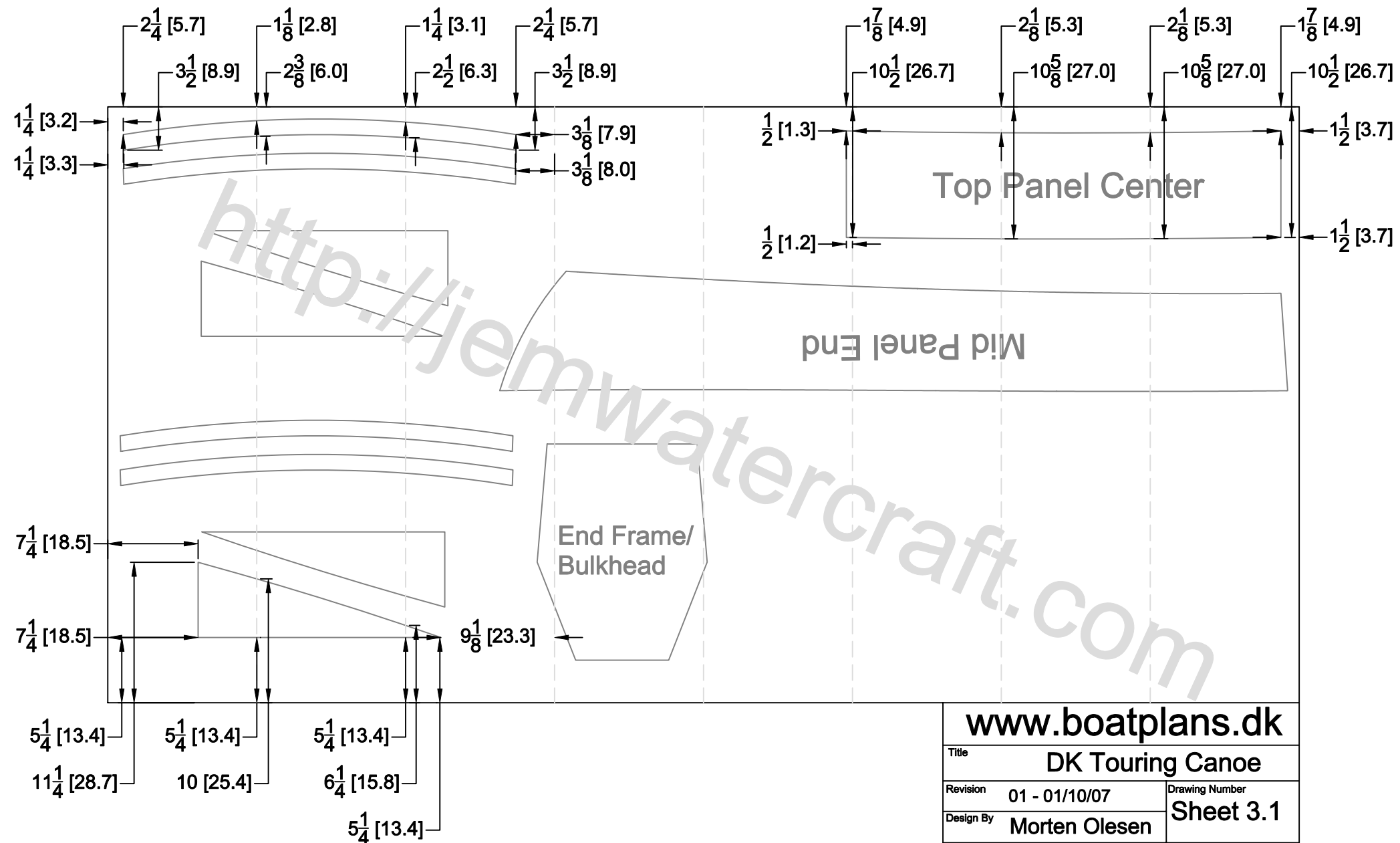
To make the mirrored copy, flip the original panel over.

Original Top End Panel was drawn on Sheet 1.2.

Note: These plans distributed for free courtesy of JEM Watercraft.

www.boatplans.dk

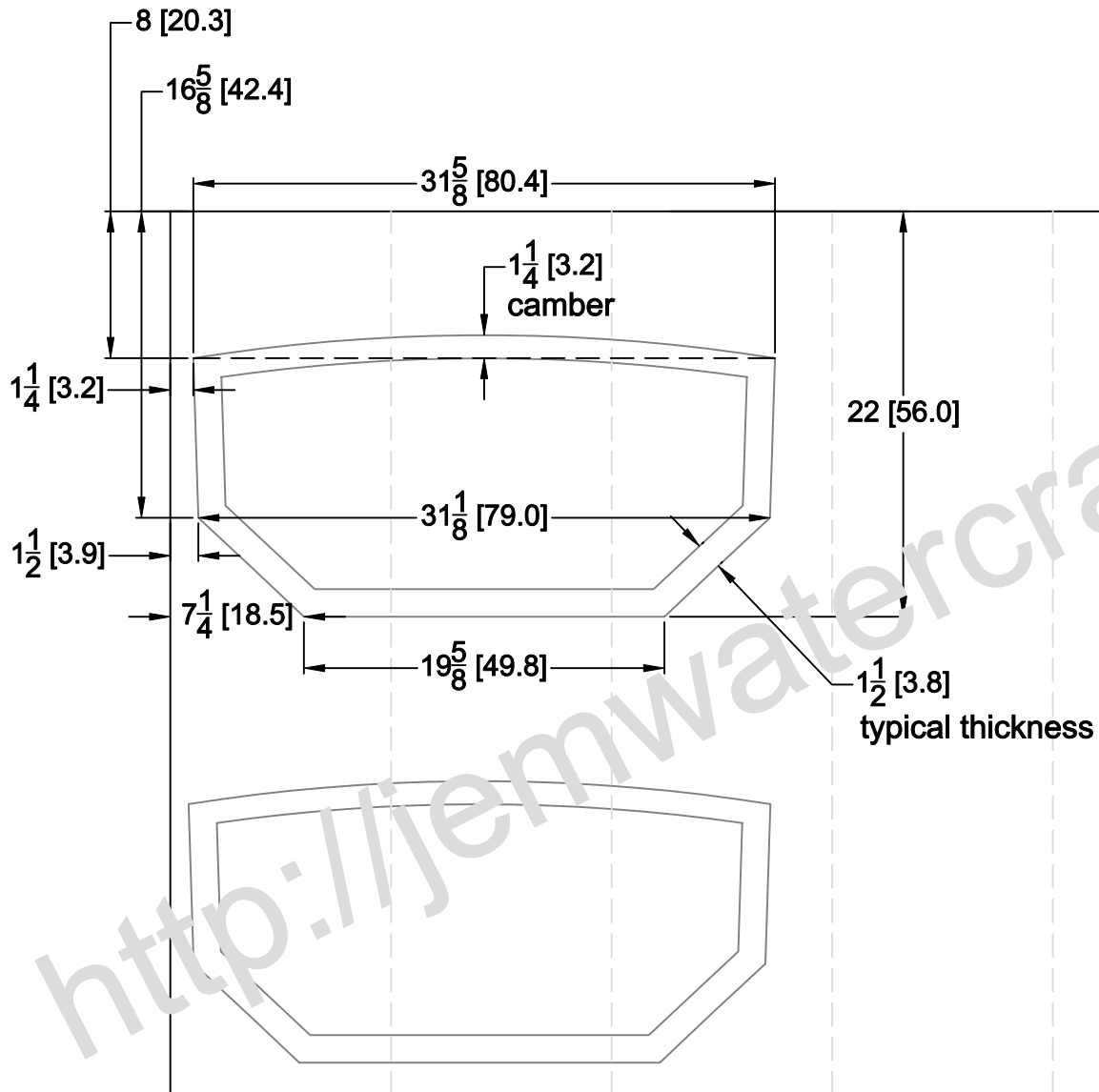
Title		DK Touring Canoe
Revision	01 - 01/10/07	Drawing Number
Design By	Morten Olesen	Sheet 2



www.boatplans.dk

Title		DK Touring Canoe
Revision	01 - 01/10/07	Drawing Number
Design By	Morten Olesen	Sheet 3.1

Use the first copy as a pattern for the second.
 Note: These plans distributed for free courtesy of JEM Watercraft.



Use the first copy as a pattern for the second.

Note: These plans distributed for free courtesy of JEM Watercraft.

www.boatplans.dk

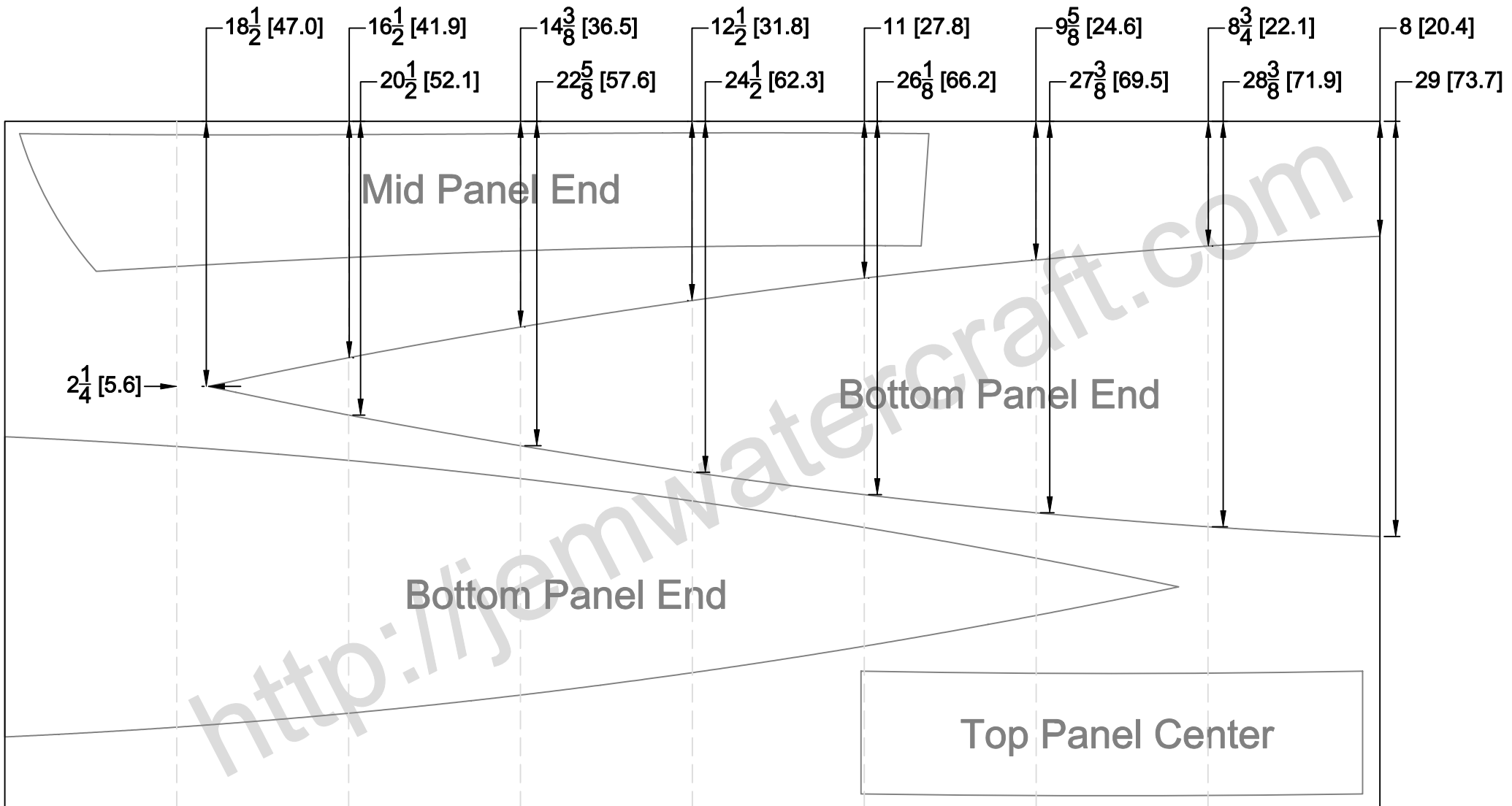
Title	DK Touring Canoe	
Revision	01 - 01/10/07	Drawing Number
Design By	Morten Olesen	Sheet 3.2

www.boatplans.dk

Title		DK Touring Canoe	
Revision	01 - 01/10/07	Drawing Number	Sheet 3.3
Design By	Morten Olesen		

Note: These plans distributed for free courtesy of JEM Watercraft.



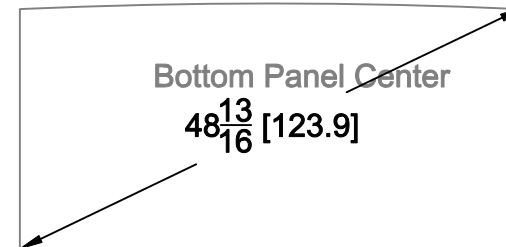
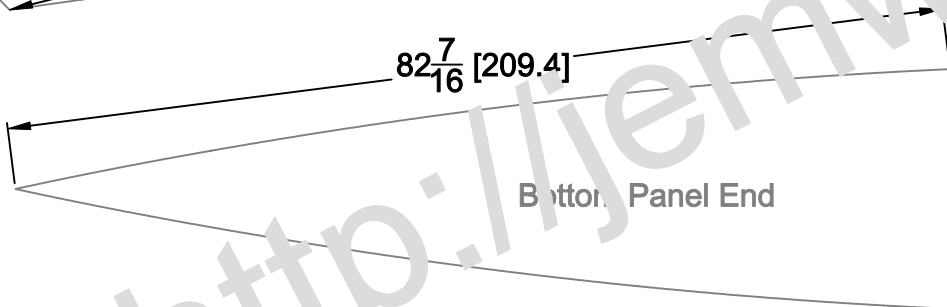
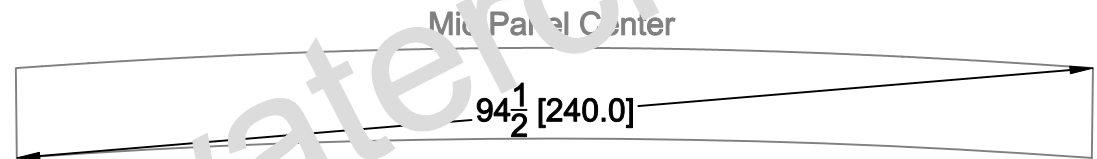
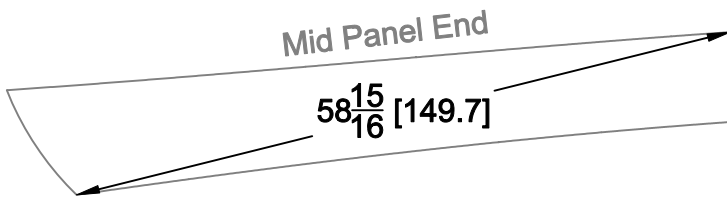
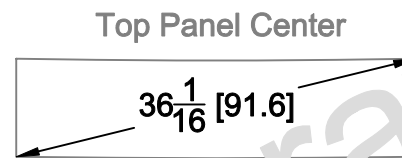
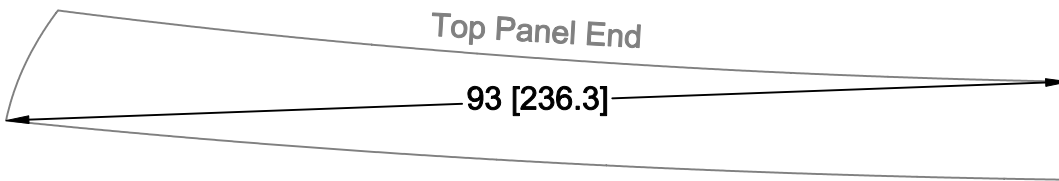


Use the first copy as a pattern for the second.

Note: These plans distributed for free courtesy of JEM Watercraft.

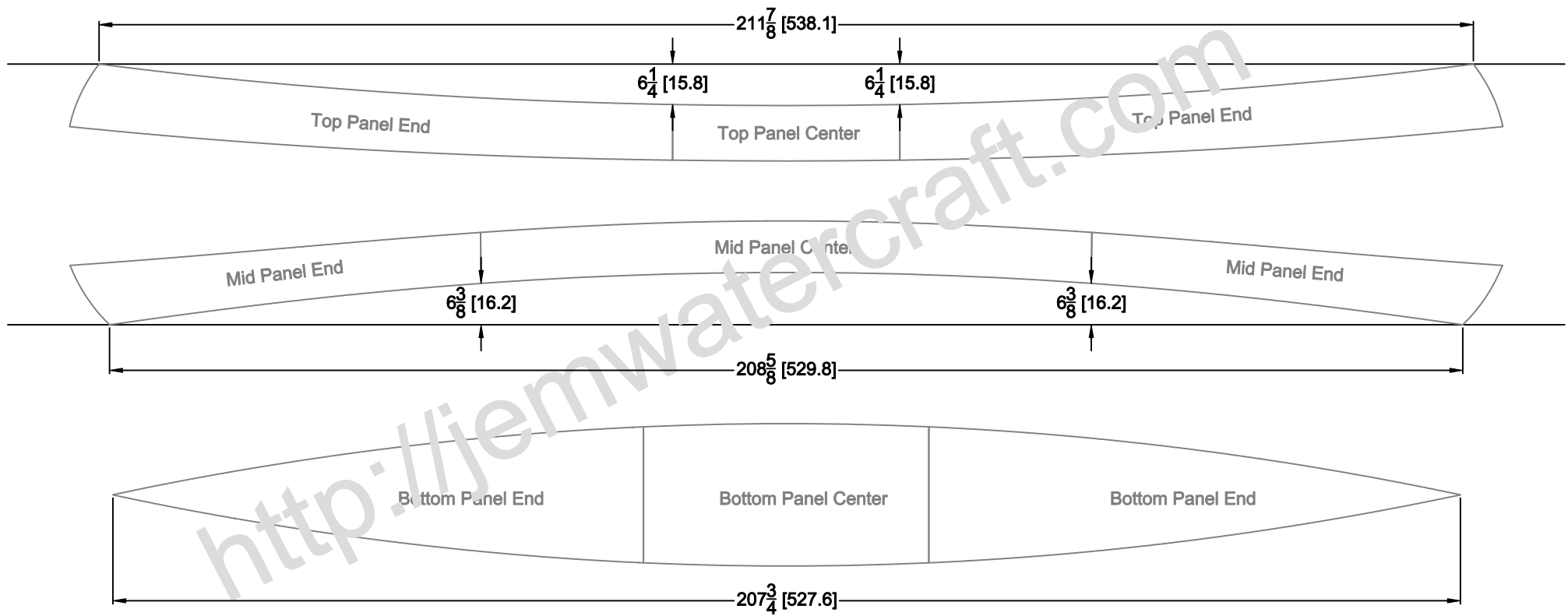
www.boatplans.dk

Title	DK Touring Canoe	
Revision	01 - 01/10/07	Drawing Number
Design By	Morten Olesen	Sheet 4



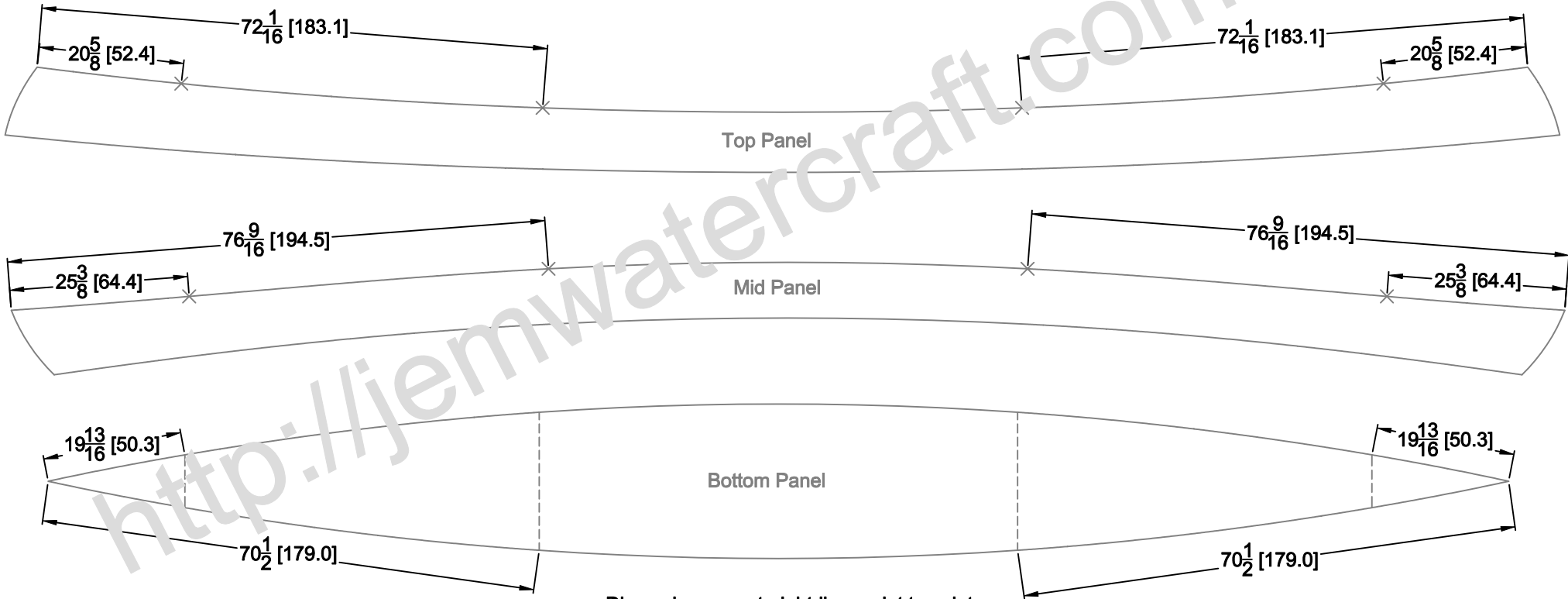
Note: These plans distributed for free courtesy of JEM Watercraft.

www.boatplans.dk		
Title DK Touring Canoe		
Revision	01 - 01/10/07	Drawing Number
Design By	Morten Olesen	QA1



Note: These plans distributed for free courtesy of JEM Watercraft.

www.boatplans.dk	
Title	DK Touring Canoe
Revision	01 - 01/10/07
Design By	Morten Olesen
Drawing Number	QA2



Dimensions are straight-line, point to point.
They DO NOT follow the curve of the panel.

Mark each point and line as shown.

Note: These plans distributed for free courtesy of JEM Watercraft.

www.boatplans.dk	
Title DK Touring Canoe	
Revision 01 - 01/10/07	Drawing Number Frame Ref
Design By Morten Olesen	